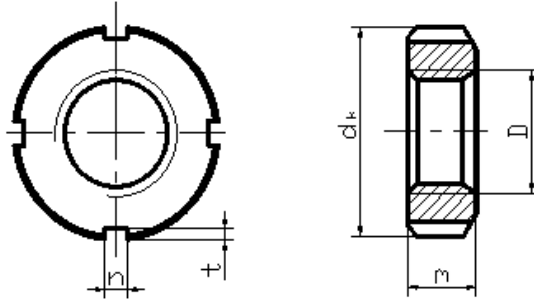


螺母-小圆螺母

代码	标准	标准名称	材质	级别	表面处理
MPG810C01B0AF	GB810	小圆螺母	碳钢	24-30HRC	发黑



单位: mm

GB810					
代码	D	dk	m	n min.	t min.
MPG810C01B0AF	M10-1	20	6	4	2
MPG810C01B0AF	M12-1.25	22	6	4	2
MPG810C01B0AF	M14-1.5	25	6	4	2
MPG810C01B0AF	M16-1.5	28	6	4	2
MPG810C01B0AF	M18-1.5	30	6	5	2.5
MPG810C01B0AF	M20-1.5	32	6	5	2.5
MPG810C01B0AF	M22-1.5	35	8	5	2.5
MPG810C01B0AF	M24-1.5	38	8	5	2.5
MPG810C01B0AF	M27-1.5	42	8	5	2.5
MPG810C01B0AF	M30-1.5	45	8	5	2.5
MPG810C01B0AF	M33-1.5	48	8	5	2.5
MPG810C01B0AF	M36-1.5	52	8	6	3
MPG810C01B0AF	M39-1.5	55	8	6	3
MPG810C01B0AF	M42-1.5	58	8	6	3
MPG810C01B0AF	M48-1.5	68	10	6	3
MPG810C01B0AF	M52-1.5	72	10	8	3.5
MPG810C01B0AF	M56-2	78	10	8	3.5
MPG810C01B0AF	M60-2	80	10	8	3.5
MPG810C01B0AF	M64-2	85	10	8	3.5
MPG810C01B0AF	M68-2	90	10	8	3.5
MPG810C01B0AF	M72-2	95	12	8	3.5
MPG810C01B0AF	M76-2	100	12	10	4
MPG810C01B0AF	M80-2	105	12	10	4
MPG810C01B0AF	M85-2	110	12	10	4
MPG810C01B0AF	M90-2	115	12	10	4
MPG810C01B0AF	M95-2	120	12	10	4
MPG810C01B0AF	M100-2	125	12	12	5
MPG810C01B0AF	M105-2	130	15	12	5
MPG810C01B0AF	M110-2	135	15	12	5
MPG810C01B0AF	M115-2	140	15	12	5
MPG810C01B0AF	M120-2	145	15	14	6
MPG810C01B0AF	M125-2	150	15	14	6
MPG810C01B0AF	M130-2	160	15	14	6
MPG810C01B0AF	M140-2	170	18	14	6
MPG810C01B0AF	M150-2	180	18	14	6
MPG810C01B0AF	M160-3	195	18	14	6
MPG810C01B0AF	M170-3	205	18	16	7
MPG810C01B0AF	M180-3	220	22	16	7
MPG810C01B0AF	M190-3	230	22	16	7
MPG810C01B0AF	M200-3	240	22	16	7

震坤行工业超市(上海)有限公司

上海市虹桥商务区申滨路 36 号丽宝广场 T4 座 4F-7F/上海浦东科苑路 399 号 5 号楼|电话 400-680-9696|传真 021-50801998

*本文件包含震坤行知识产权，未经书面授权，不允许任何形式的复印和传播